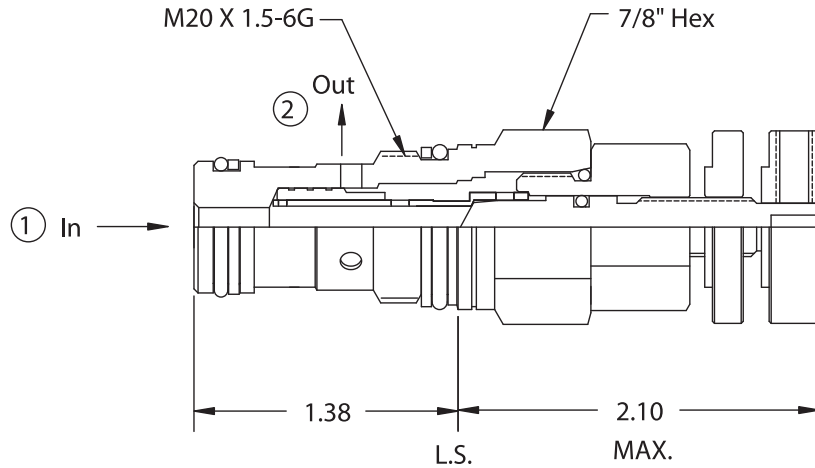
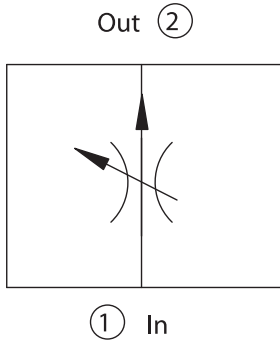


1343.00

Flow Control Valve
 Pressure Compensated
 Adjustable
 Stainless Steel
 8 gpm (32 L/min)
 T-13A Cavity



Operation	Controls flow from port 1 to port 2 at an adjusted value over a varying pressure range. Reverse flow is restricted and not compensated.
Type	Adjustable pressure compensated flow control.
Material	External parts are stainless steel. Internal parts are precision ground & honed, hardened steel parts. Buna-N seals standard.
Maximum Pressure	5,000 psi (350 bar)
Flow	Adjustable range from 1 to 8 gpm (32 L/min)
Fluid	General hydraulic fluid
Cavity	T-13A
Install torque	30-35 lb-ft (45-50Nm)

Options

1343.00	8	K	N
Basic cartridge	Adjustment Range 8 - 1 to 8 gpm	Adjustment Type L - Screw Adjustment K - Knob Adjustment T - 'T'-Handle	Seals N - Buna-N V - Viton

