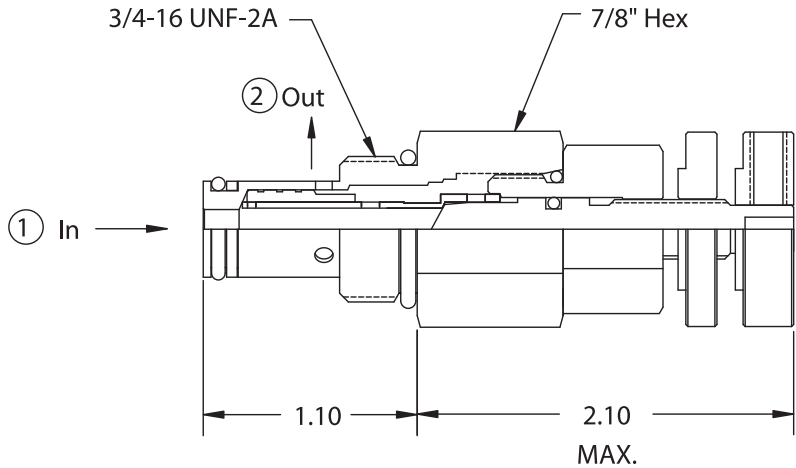
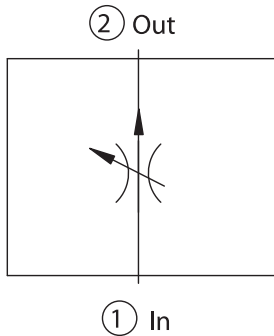


## 1322.00

Flow Control Valve  
 Pressure Compensated  
 Adjustable  
 Stainless Steel  
 8 gpm (32 L/min)  
 C08-2 Cavity



Operation	Controls flow from port 1 to port 2 at an adjusted value over a varying pressure range. Reverse flow is restricted and not compensated.
Type	Adjustable pressure compensated flow control.
Material	External parts are stainless steel. Internal parts are precision ground & honed, hardened steel parts. Buna-N seals standard.
Maximum Pressure	5,000 psi (350 bar)
Flow	Adjustable range from 1 to 8 gpm (32 L/min)
Fluid	General hydraulic fluid
Cavity	C08-2
Install torque	20 lb-ft (27Nm)

### Options

- |                 |   |                                    |   |  |   |                                  |
|-----------------|---|------------------------------------|---|--|---|----------------------------------|
| 1322.00         | — | 8                                  | — | K  | — | N                                |
| Basic cartridge |   | Adjustment Range<br>8 - 1 to 8 gpm |   | Adjustment Type<br>L - Screw Adjustment<br>K - Knob Adjustment<br>T - 'T'-Handle |   | Seals<br>N - Buna-N<br>V - Viton |

