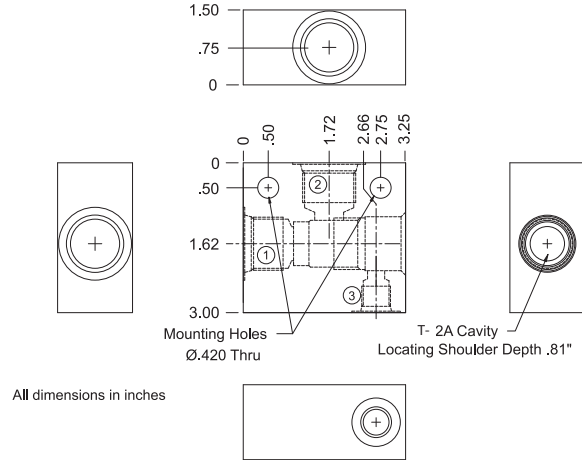


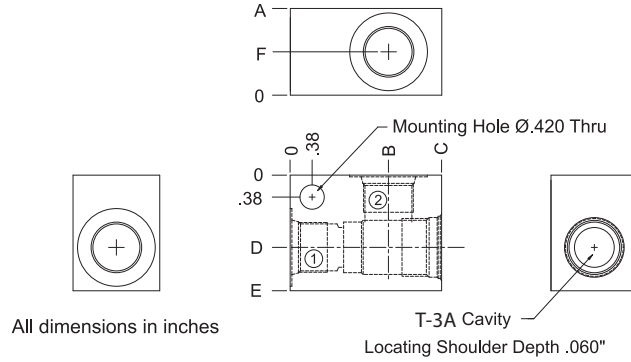
T-2A CAVITY CARTRIDGE VALVE BODIES
 FOR VALVE MODELS: GPOC2, GCB2, GPRD2, GPRV2, GPS2, GPCC2 Series



Options

G2A	—	4P	—	A
Base Model #		Port Size		Material
		4P - 1/2 npt (1/4 npt pilot port)		A - Aluminum
		6P - 3/4 npt (1/4 npt pilot port)		
		T8 - sae #8 (sae #6 pilot port)		
		T10 - sae #10 (sae #6 pilot port)		
		T12 - sae #12 (sae #6 pilot port)		

T-3A CAVITY CARTRIDGE VALVE BODIES
FOR VALVE MODELS: GPR3, GDR3 Series

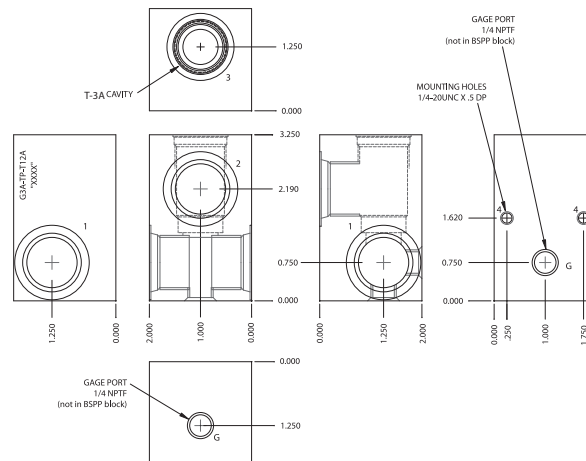


BLOCK DIMENSIONS						
Port Size	A	B	C	D	E	F
4P,6P,T8,T10,T12	1.50	1.97	3.00	1.25	2.00	.75

Options

G3A	—	4P	—	A
Base Model #		Port Size 4P - 1/2 npt 6P - 3/4 npt T8 - sae #8 T10 - sae #10 T12 - sae #12		Material A - Aluminum

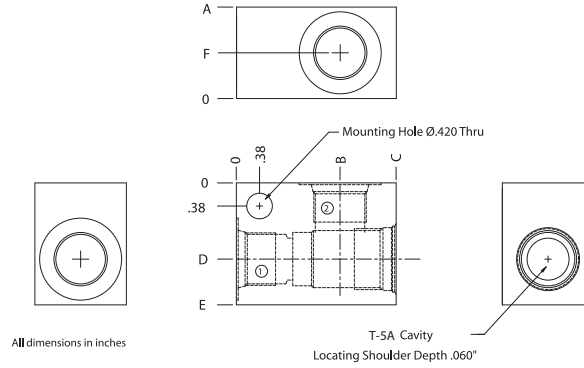
"Through Port Version"



Options

G3A-TP	—	T12	—	A
Base Model #		Port Size T12 - sae #12 B6 - 3/4 BSPP		Material A - Aluminum

T-5A CAVITY CARTRIDGE VALVE BODIES
FOR VALVE MODELS: GCV5 & GCVA5 Series



BLOCK DIMENSIONS						
Port Size	A	B	C	D	E	F
3P4PT8,T10	1.50	1.70	2.62	1.25	2.00	.75

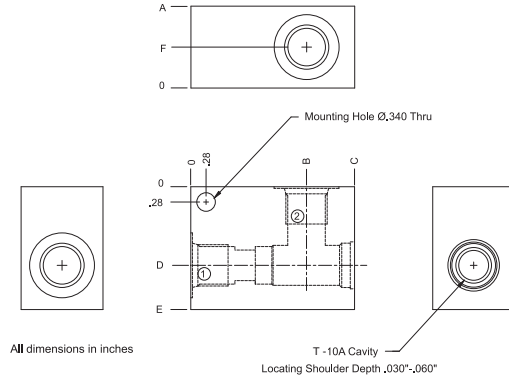
Options

G5A
Base Model #

3P
Port Size
3P - 3/8 npt
4P - 1/2 npt
T8 - sae #8
T10 - sae #10

A
Material
A - Aluminum

T-10A CAVITY CARTRIDGE VALVE BODIES
FOR VALVE MODELS: GPR10, GDR10 Series

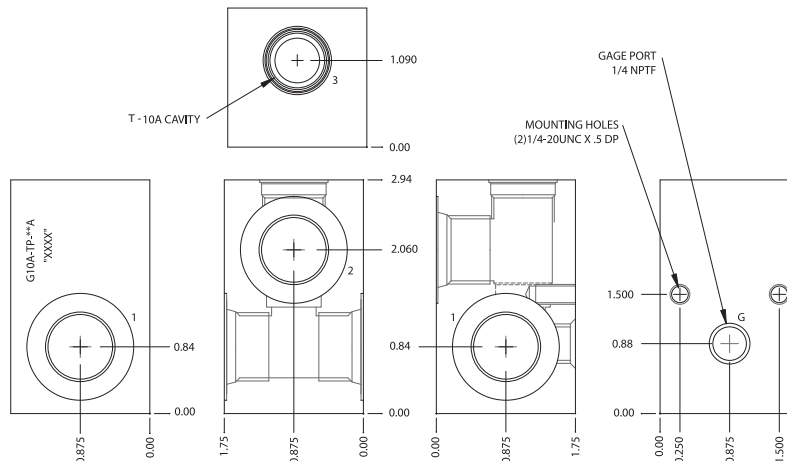


BLOCK DIMENSIONS						
Port Size	A	B	C	D	E	F
3PT6&T8	1.25	1.62	2.50	1.03	1.62	.62
4P	1.50	2.12	3.00	1.44	2.25	.75

Ordering Information

G10A	—————	3P	—————	A
Base Model #		Port Size 3P - 3/8 npt 4P - 1/2 npt T6 - sae #6 T8 - sae #8		Material A - Aluminum

"Through Port Version"

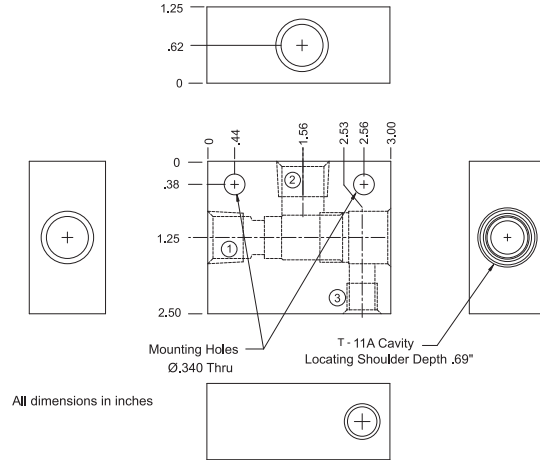


Ordering Information

G10A-TP	—————	4P	—————	A
Base Model #		Port Size 4P - 1/2 npt T8 - sae #8 T10 - sae #10		Material A - Aluminum

T-11A CAVITY CARTRIDGE VALVE BODIES

FOR VALVE MODELS: GPOC11, GCB11, GCBS11, GPRD11, GPRV11, GPS11, GPCC11 Series

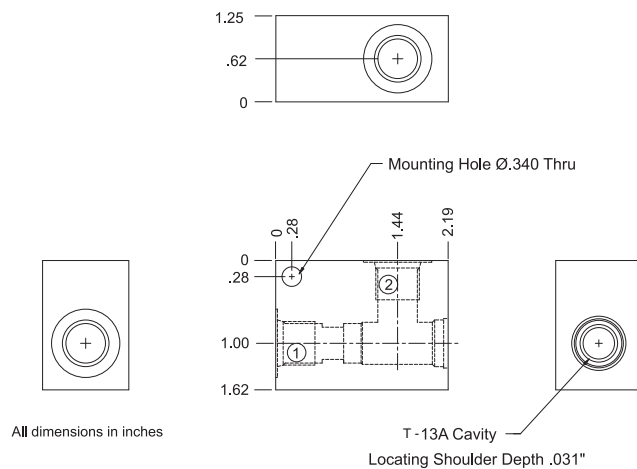


Ordering Information

G11A	—	3P	—	A
Base Model #		Port Size		Material
		3P - 3/8 npt (1/4 npt pilot port)		A - Aluminum
		4P - 1/2 npt (1/4 npt pilot port)		
		T6 - sae #6 (sae #6 pilot port)		
		T8 - sae #8 (sae #6 pilot port)		
		T10 - sae #10 (sae #6 pilot port)		

T-13A CAVITY CARTRIDGE VALVE BODIES

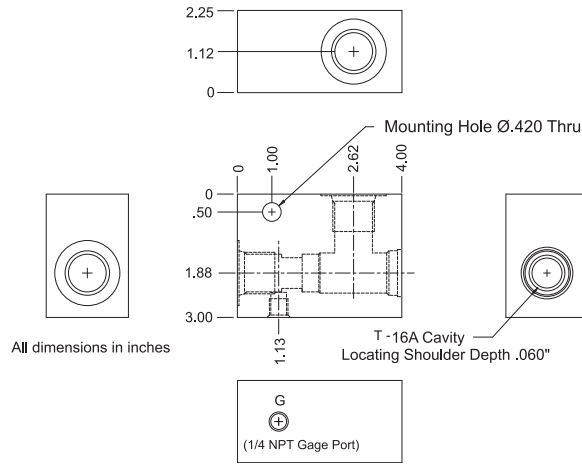
FOR VALVE MODELS: GCV13, GCVA13 & GAFC13, 1343.00 Series



Ordering Information

G13A	—	3P	—	A
Base Model #		Port Size		Material
		3P - 3/8 npt		A - Aluminum
		T6 - sae #6		
		T8 - sae #8		

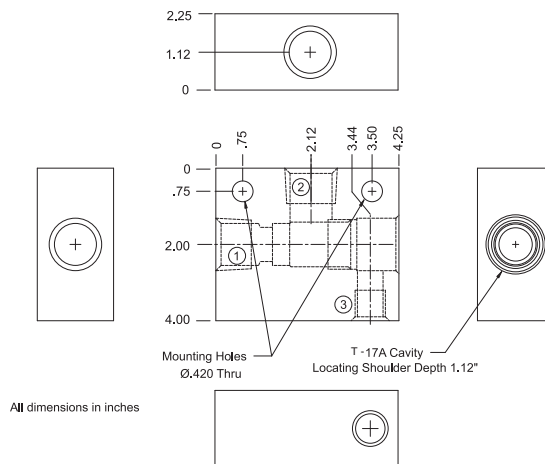
T-16A CAVITY CARTRIDGE VALVE BODIES
 FOR VALVE MODELS: GCV16, GCVA16, GPR16, GDR16 Series



Ordering Information

G16A	—	6P	—	A
Base Model #		Port Size 6P - 3/4 npt 8P - 1 npt T12 - sae #12 T16 - sae #16		Material A - Aluminum

T-17A CAVITY CARTRIDGE VALVE BODIES
 FOR VALVE MODELS: GPOC17, GCB17, GPRV17, GPS17, GPCC17, GPRD17 Series



Ordering Information

G17A	—	6P	—	A
Base Model #		Port Size 6P - 3/4 npt (1/4 npt pilot port) 8P - 1 npt (1/4 npt pilot port) T12 - sae #12 (sae #6 pilot port) T16 - sae #16 (sae #6 pilot port) T20 - sae #20 (sae #6 pilot port)		Material A - Aluminum