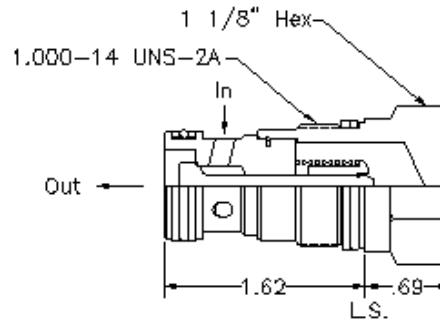
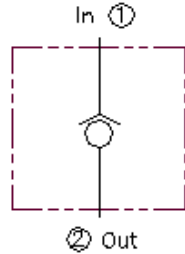


GCVA5

Check Valve

Side to Nose
30 gpm (120 L/min)
T-5A Cavity



| | | |
|------------------|---|-------------|
| Operation | Provides free flow in one direction and shuts off flow in the opposite direction. | |
| Type | Poppet check valve to fit industry standard cavity. | |
| Material | Precision ground & honed, hardened steel parts. Buna-N seals standard. Zinc plated. | |
| Maximum Pressure | 5,000 psi | (350 bar) |
| Flow | 30 gpm nominal | (120L/min) |
| Leakage | 5 drops per minute | (.35cc/min) |
| Fluid | General hydraulic fluid | |
| Cavity | T-5A | |
| Install torque | 45-50 lb-ft | (60-70Nm) |

Options

| | | | | |
|-----------------|---|-------------------|---|------------|
| GCVA5 | - | 4 | - | N |
| Basic cartridge | | Cracking Pressure | | Seals |
| | | 4 - 4 psi | | N - Buna-N |
| | | 30 - 30 psi | | V - Viton |
| | | 75 - 75 psi | | |

