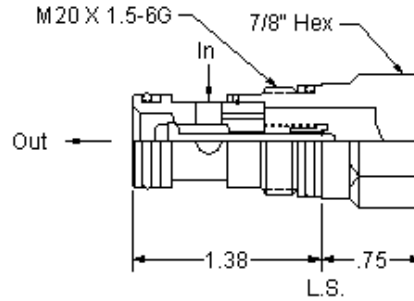
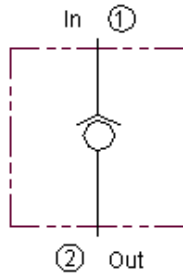




GCVA13

Check Valve

Side to Nose
15 gpm (60 L/min)
T-13A Cavity



Operation	Provides free flow in one direction and shuts off flow in the opposite direction.	
Type	Poppet check valve to fit industry standard cavity.	
Material	Precision ground & honed, hardened steel parts. Buna-N seals standard. Zinc plated.	
Maximum Pressure	5,000 psi	(350 bar)
Flow	15 gpm nominal	(60 L/min)
Leakage	5 drops per minute	(.35cc/min)
Fluid	General hydraulic fluid	
Cavity	T-13A	
Install torque	30-35 lb-ft	(45-50Nm)

Options

GCVA13

-

4

-

N

Basic cartridge

Cracking Pressure
4 - 4 psi
30 - 30 psi
75 - 75 psi

Seals
N - Buna-N
V - Viton

