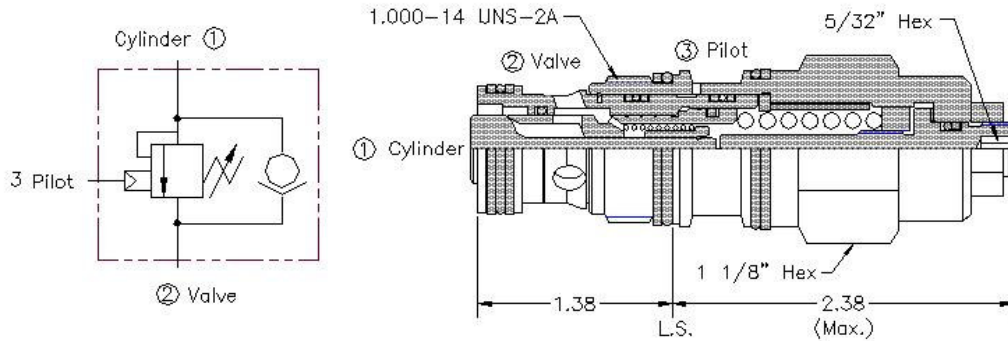




Gold Series
GCB2-4

Counterbalance Valve

4.5:1 Pilot Ratio
 30 GPM (120 L/min)
 T-2A Cavity

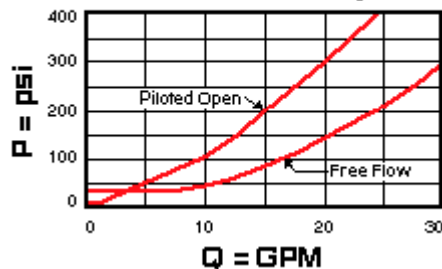


Operation	Counterbalance valve prevents load runaway. Allows free flow from 2 to 1 & controlled flow from 1 to 2 by direct acting relief with a pilot operator to override or assist. Set relief at 30% above the maximum normal operating pressure. No pilot seals. Leakage port 2 to 3, 2 cu in/min at 1000psi.		
Pilot Ratio	4.5:1		
Material	All steel construction. Precision ground & hardened parts. Buna-n seals are standard, viton available as an option.		
Maximum Pressure	4,000 psi	(280 bar)	
Nominal Flow	30 gpm	(120 L/min)	
Leakage	5 Drops/ min @ 85% of set pressure	(0.4cc/min)	
Reset	>85% of setting		
Fluid	General hydraulic fluid		
Cavity	T-2A		
Install Torque	45 - 50 LB-FT	(60 - 70 Nm)	

Options

GCB2	-	4		25		A	-	N		XXXX
Basic cartridge		Pilot Ratio 4 - 4.5:1		Adjustment Range 25 - 1000 - 2500 psi (std.set 2000psi) 50 - 2000-5000 psi (std. set 3000 psi)		Cracking Pressure A- 4psi Omit- 25psi		Seals N- Buna-n V- Viton		Factory Setting xx-In 2000=2000psi

Free Flow and Piloted Open Pressure Drop



Typical Relief Characteristics

