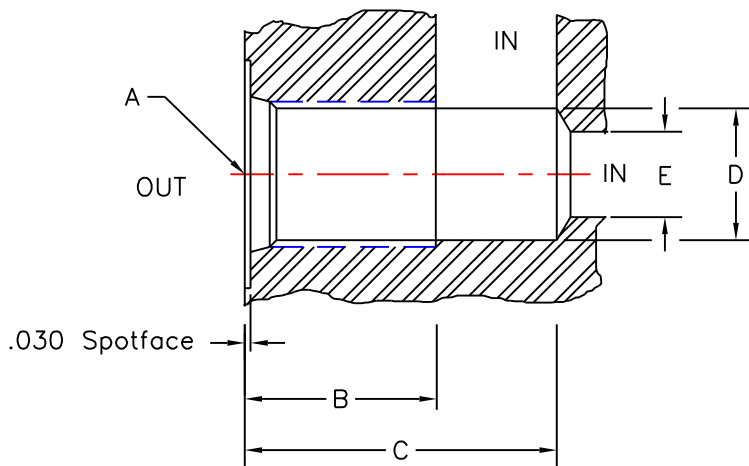
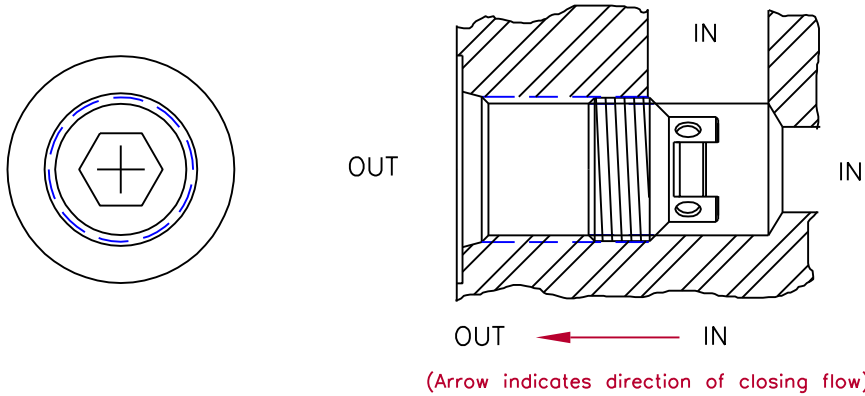




# CAVITY DETAILS

## 370 SERIES VELOCITY FUSE

SAE Threaded Cartridge



### DIMENSIONS

Model	A	A Thread Size-2B	B	C	∅D	∅E Max
370-T4-XX	SAE 4	7/16-20 unf	.875	1.438	.368	.368
370-T6-XX	SAE 6	9/16-18 unf	.875	1.438	.480	.480
370-T8-XX	SAE 8	3/4-16 unf	.938	1.625	.670	.670
370-T10-XX	SAE 10	7/8-14 unf	1.031	1.750	.780	.780
370-T12-XX	SAE 12	1 1/16-12 un	1.172	2.094	.950	.950

All dimensions in inches

Refer to SAE J514 for complete specifications for the porting.

The 370 Series Velocity Fuses are designed to fit under standard SAE O-ring fittings. This requires the tap drilled hole is deeper for flow and the thread depth is deeper than normal.

This is a suggested installation bore. Flow can come into the valve either from the bottom or side or both as determined by the customer. The fuse when installed is to bottom itself at the last thread of the port boss. The "D" diameter and "C" and "B" depths are to allow for flow into the velocity fuse valve.