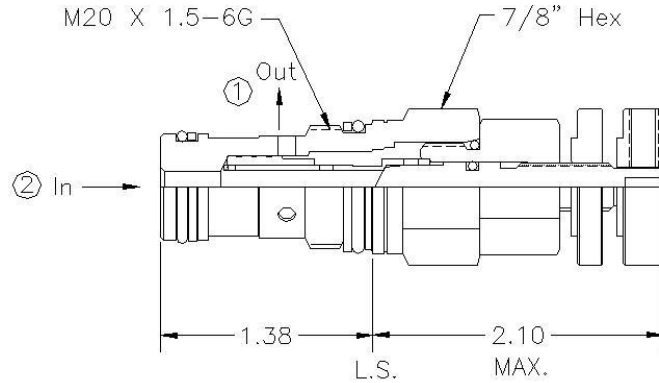
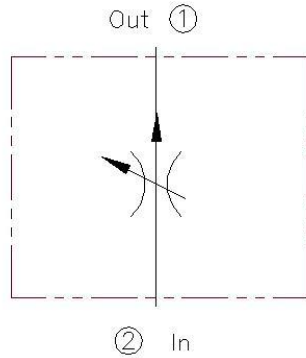


1343.00

Flow Control Valve

Pressure Compensated  
 Adjustable  
 Stainless Steel  
 8 gpm  
 T-13A Cavity



**Operation** Controls flow from the port 2 to port 1 at an adjusted value over a varying pressure range. Reverse flow is restricted and not compensated.

**Type** Adjustable pressure compensated flow control.

**Material** External parts of stainless steel. Internal parts are precision ground & honed, hardened steel parts. Buna-N seals standard.

**Maximum Pressure** 5,000 psi (350 bar)

**Flow** Adjustable range from 1 to 8 gpm

**Fluid** General hydraulic fluid

**Cavity** T-13A

**Install torque** 30-35 lb-ft (45-50Nm)

Options

1343.00 - 8 - K N  
 Basic cartridge Adjustment Range 8 - 1 to 8 gpm Adjustment Type L - Screw Adjustment N - Buna-N  
 K - Knob Adjustment V - Viton  
 T - 'T'-Handle

