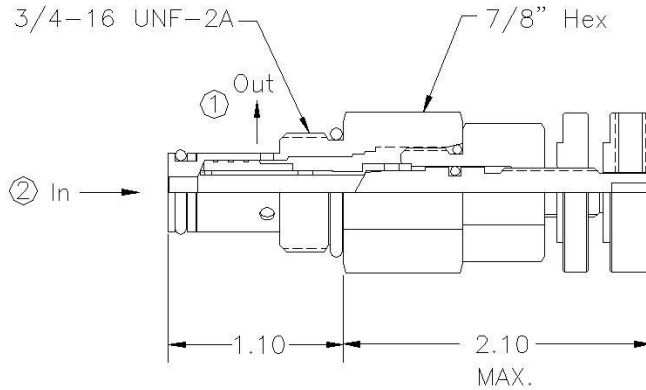
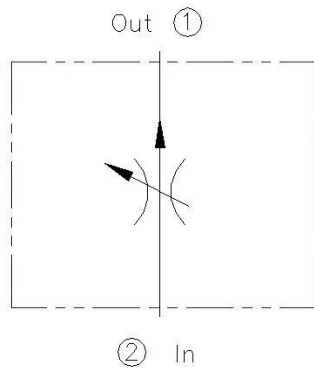


1322.00

Flow Control Valve

Pressure Compensated
 Adjustable
 Stainless Steel
 8 gpm
 C08-2 Cavity



- Operation Controls flow from the port 2 to port 1 at an adjusted value over a varying pressure range. Reverse flow is restricted and not compensated.
- Type Adjustable pressure compensated flow control.
- Material External parts of stainless steel. Internal parts are precision ground & honed, hardened steel parts. Buna-N seals standard.
- Maximum Pressure 5,000 psi (350 bar)
- Flow Adjustable range from 1 to 8 gpm
- Fluid General hydraulic fluid
- Cavity C08-2
- Install torque 20 lb-ft (27Nm)

Options

1322.00 - 8 - K N
 Basic cartridge Adjustment Range 8 - 1 to 8 gpm Adjustment Type L - Screw Adjustment K - Knob Adjustment T - 'T'-Handle Seals N - Buna-N V - Viton

